

WIRE & CABLE IDENTIFICATION LABELS

TTL™ 200 SERIES

HIGHLIGHTS

- Excellent product conformity
- Unique “site-hole” technology
- **UL approved***

FEATURES

- Thermal transfer printable
- Self-laminating vinyl film
- Custom sizes, colors, and formats

Designed for cable and wire identification, the TTL™ 200 Series also works on other surfaces requiring conformability. IDENTCO unique “site-hole” technology allows virtually any thermal transfer printer to print clear self-laminating labels accurately with minimal waste.

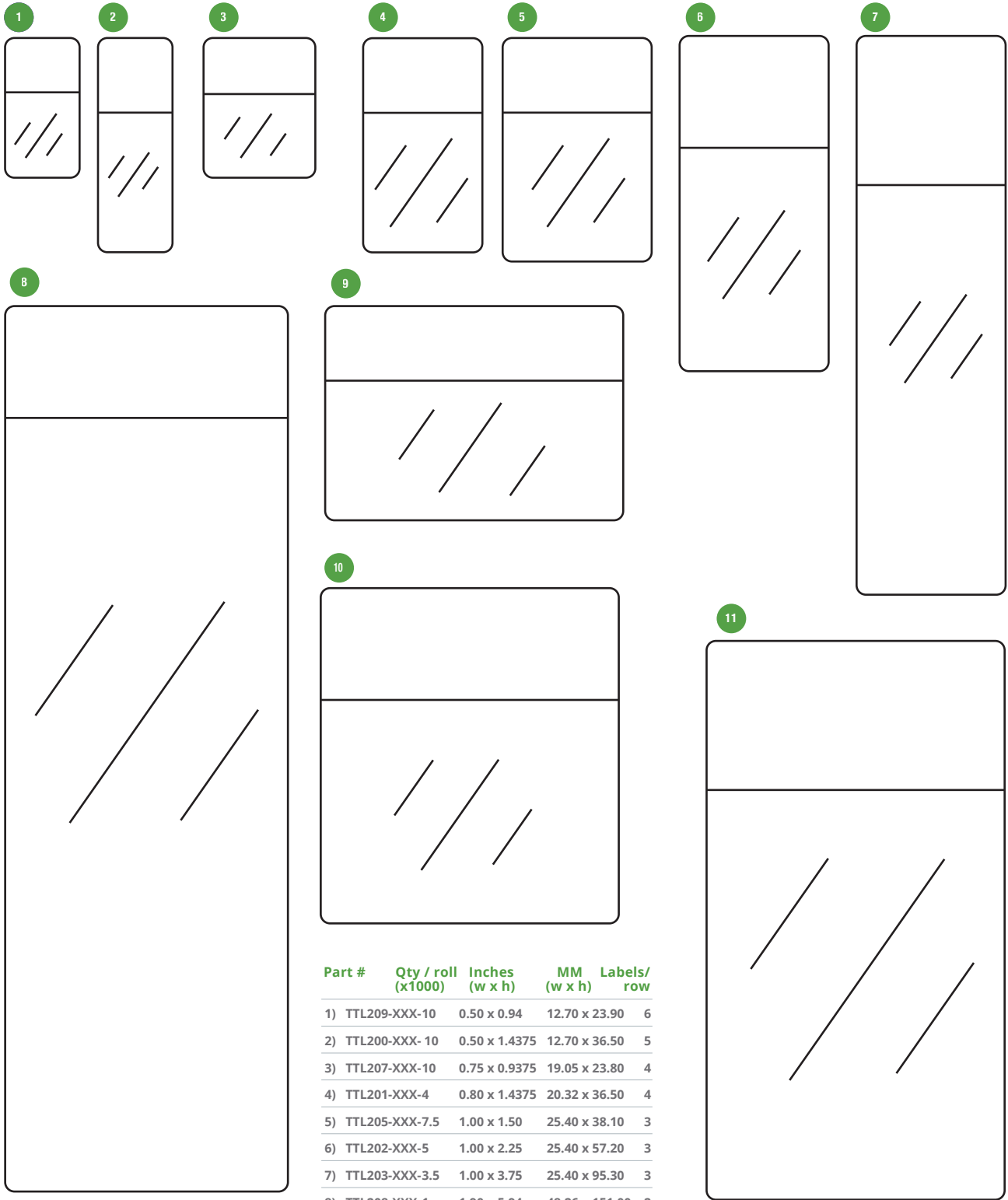
IDENTCO wire and cable labels have been thoroughly tested and qualified to match the TTRR™-A ribbon.

Combining the wire and cable labels with the TTRR™-A ribbon promises optimal print quality, **UL recognition** and lifelong product labels.

***UL recognition is contingent upon printing with the appropriate IDENTCO material and TTRR™ ribbon combination as specified by Underwriters Laboratories testing.**



TTL™ 200 SERIES



Part #	Qty / roll (x1000)	Inches (w x h)	MM (w x h)	Labels/ row
1) TTL209-XXX-10		0.50 x 0.94	12.70 x 23.90	6
2) TTL200-XXX-10		0.50 x 1.4375	12.70 x 36.50	5
3) TTL207-XXX-10		0.75 x 0.9375	19.05 x 23.80	4
4) TTL201-XXX-4		0.80 x 1.4375	20.32 x 36.50	4
5) TTL205-XXX-7.5		1.00 x 1.50	25.40 x 38.10	3
6) TTL202-XXX-5		1.00 x 2.25	25.40 x 57.20	3
7) TTL203-XXX-3.5		1.00 x 3.75	25.40 x 95.30	3
8) TTL208-XXX-1		1.90 x 5.94	48.26 x 151.00	2
9) TTL210-XXX-2.5		2.00 x 1.4375	50.80 x 36.50	2
10) TTL204-XXX-1		2.00 x 2.25	50.80 x 57.20	1
11) TTL206-XXX-1		2.00 x 3.75	50.80 x 95.30	1

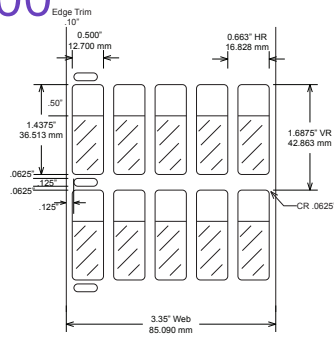
Labels shown actual size 5

0.500" x 1.438"
12.70 mm x 36.51 mm

Part Number **Material Description** **TTRR™**

TTL™ 200

TTL200-727-10 Self-Laminating Vinyl with White Thermal Transfer Printable Area A

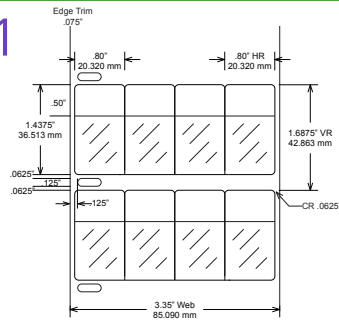


0.800" x 1.438"
20.32 mm x 36.51 mm

Part Number **Material Description** **TTRR™**

TTL™ 201

TTL201-727-4 Self-Laminating Vinyl with White Thermal Transfer Printable Area A

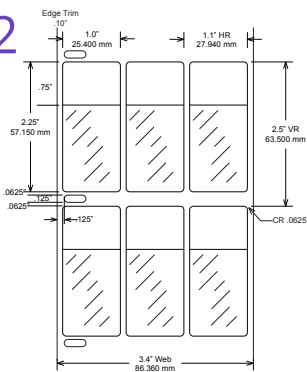


1.000" x 2.250"
25.40 mm x 57.15 mm

Part Number **Material Description** **TTRR™**

TTL™ 202

TTL202-727-5 Self-Laminating Vinyl with White Thermal Transfer Printable Area A

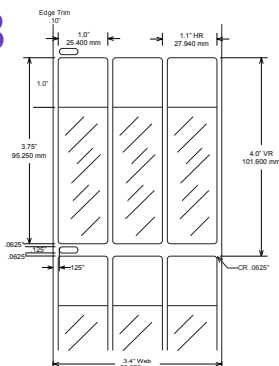


1.000" x 3.750"
25.40 mm x 95.25 mm

Part Number **Material Description** **TTRR™**

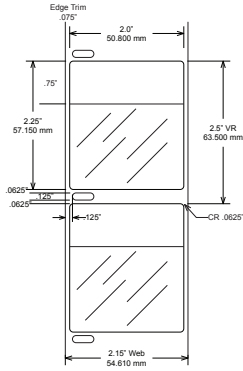
TTL™ 203

TTL203-727-3.5 Self-Laminating Vinyl with White Thermal Transfer Printable Area A



2.000" x 2.250"
50.80 mm x 57.15 mm

TTL™ 204

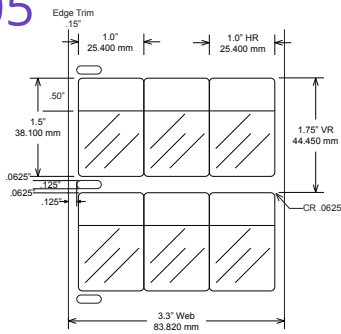


Part Number **Material Description** **TTRR™**

TTL204-727-1 Self-Laminating Vinyl with White Thermal Transfer Printable Area A

1.000" x 1.500"
25.40 mm x 38.10 mm

TTL™ 205

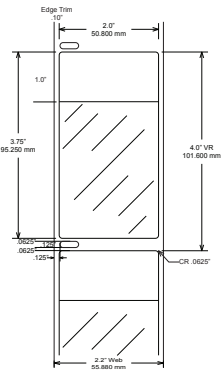


Part Number **Material Description** **TTRR™**

TTL205-727-7.5 Self-Laminating Vinyl with White Thermal Transfer Printable Area A

2.000" x 3.750"
50.80 mm x 95.25 mm

TTL™ 206

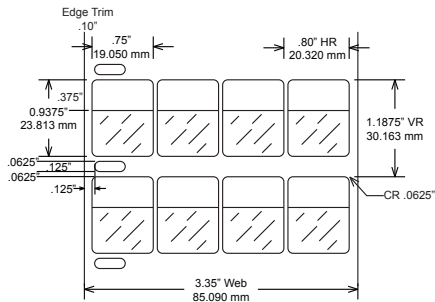


Part Number **Material Description** **TTRR™**

TTL206-727-1 Self-Laminating Vinyl with White Thermal Transfer Printable Area A

0.750" x 0.938"
19.05 mm x 23.81 mm

TTL™ 207

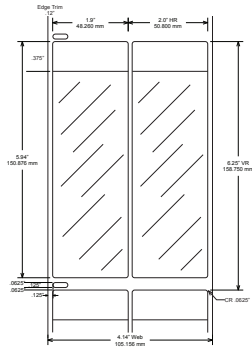


Part Number **Material Description** **TTRR™**

TTL207-727-10 Self-Laminating Vinyl with White Thermal Transfer Printable Area A

1.900" x 5.940"
48.26 mm x 150.88 mm

TTL™ 208



Part Number

Material Description

TTRR™

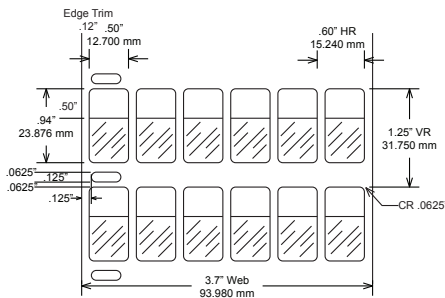
TTL208-727-1

Self-Laminating Vinyl with White Thermal Transfer Printable Area

A

0.500" x 0.940"
12.70 mm x 23.88 mm

TTL™ 209



Part Number

Material Description

TTRR™

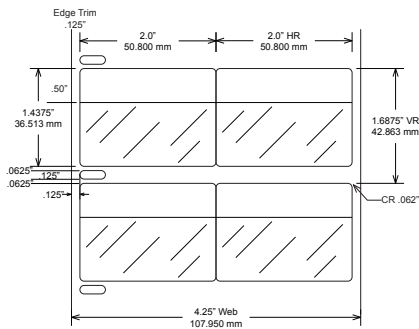
TTL209-727-10

Self-Laminating Vinyl with White Thermal Transfer Printable Area

A

2.000" x 1.438"
50.80 mm x 36.51 mm

TTL™ 210



Part Number

Material Description

TTRR™

TTL210-727-2.5

Self-Laminating Vinyl with White Thermal Transfer Printable Area

A